

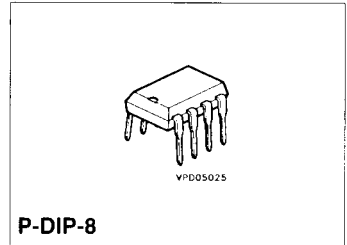
Dual Operational Amplifier

TAA 2762
TAA 2765

Bipolar IC

Features

- Wide common-mode range
- Large supply voltage range
- Wide temperature range (TAA 2762 A)
- High output current
- Large control range
- Internally frequency-compensated
- NPN input with protection diodes
- Open collector output

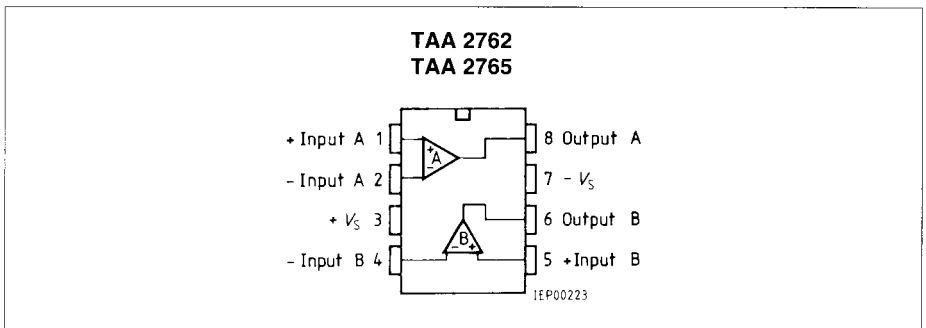


Applications

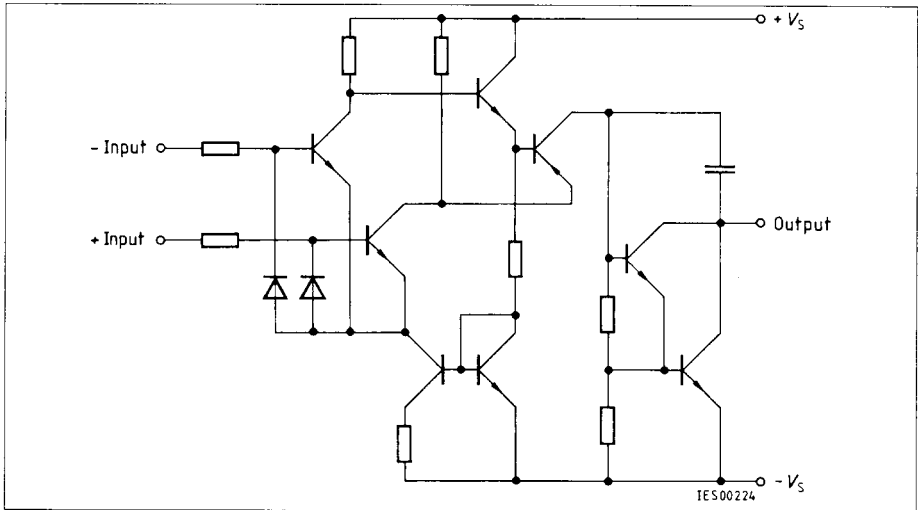
- Amplifier
- Comparator
- Level converter
- Driver

Type	Ordering Code	Package
Ⓢ TAA 2762 A	Q67000-A2499	P-DIP-8
Ⓢ TAA 2765 A	Q67000-A1031	P-DIP-8

These op amps are particularly economic and versatile. Owing to their excellent performance qualities they are well suited for a wide scope of applications, as in control engineering, automotive electronics, AF circuits, analog computers, etc.



Pin Configuration
(top view)



Circuit Diagram of One Op Amp

Absolute Maximum Ratings

Parameter	Symbol	Limit Values	Unit
Supply voltage	V_S	± 18	V
Output current	I_O	70	mA
Differential input voltage	V_{ID}	$\pm V_S$	V
Junction temperature	T_j	150	$^{\circ}\text{C}$
Storage temperature range	T_{stg}	- 55 to 125	$^{\circ}\text{C}$
Thermal resistance system - air TAA 2762 A/2765 A	$R_{th SA}$	100	K/W

Operating Range

Supply voltage	V_S	± 2 to ± 15	V
Ambient temperature TAA 2762 A	T_A	- 55 to 125	$^{\circ}\text{C}$
TAA 2765 A	T_A	- 25 to 85	$^{\circ}\text{C}$

Characteristics (TAA 2762)

$V_S = \pm 5V$ to $\pm 15V$; $R_L = 2k\Omega$, unless otherwise specified

Parameter	Symbol	Limit Values $T_A = 25^\circ C$			Limit Values $T_A = -55$ to $125^\circ C$		Unit
		min.	typ.	max.	min.	max.	
Open-loop supply current consumption, total	I_S		0.5	1.5		1.5	mA
Input offset voltage, $R_G = 50\Omega$	V_{IO}	- 4		4	- 6	6	mV
Input offset current	I_{IO}	- 100	± 50	100	- 300	300	nA
Input current	I_I		0.3	0.7		1.0	μA
Control range $V_S = \pm 15V$ $R_L = 620\Omega$, $V_S = \pm 15V$	$V_{Q,pp}$ $V_{Q,pp}$	14.9		- 14	14.8	- 14	V V
Input impedance, $f = 1kHz$	Z_I		200				k Ω
Open-loop voltage gain $f = 100Hz$ $R_L = 10\Omega$, $f = 100Hz$	G_{VO} G_{VO}	85	87 92		80		dB dB
Output reverse current	I_{QR}			1		5	μA
Common-mode input voltage range	V_{IC}	$-V_S+2$		V_S-2	$-V_S+3$	V_S-3	V
Common-mode rejection	k_{CMR}	80	85			75	dB
Supply voltage rejection, $G_V = 100$	k_{SVR}		25	100		100	$\mu V/V$
Temperature coefficient of V_{IO} $R_G = 50\Omega$	α_{VIO}		1	15		25	$\mu V/K$
Temperature coefficient of I_{IO} $R_G = 50\Omega$	α_{IIO}		0.3	1.5		1.5	nA/K
Noise voltage (in acc. with DIN 45405; referred to input; $R_S = 2.5k\Omega$)	V_n		3				μV
Output saturation voltage $I_O = 10mA$	$V_{Q,sat}$			1			V
Slew rate for non-inverting operation	SR		0.5				V/ μs
Slew rate for inverting operation	SR		0.5				V/ μs

Characteristics (TAA 2762)

$V_S = \pm 2V$, $R_L = 2k\Omega$

Parameter	Symbol	Limit Values $T_A = 25\text{ }^\circ\text{C}$			Limit Values $T_A = -55$ to $125\text{ }^\circ\text{C}$		Unit
		min.	typ.	max.	min.	max.	
Input offset voltage, $R_G = 50\Omega$	V_{IO}	-4		4	-6	6	mV
Input offset current	I_{IO}	-70		70	-200	200	nA
Input current	I_I		0.2	0.5		0.8	μA
Open-loop voltage gain; $f=100\text{ Hz}$	G_{VO}	80			75		dB

Characteristics (TAA 2765)

$V_S = \pm 5V$ to $\pm 15V$; $R_L = 2k\Omega$, unless otherwise specified

Parameter	Symbol	Limit Values $T_A = 25\text{ }^\circ\text{C}$			Limit Values $T_A = -25$ to $85\text{ }^\circ\text{C}$		Unit
		min.	typ.	max.	min.	max.	
Open-loop supply current consumption, total	I_S		0.5	1.5		1.5	mA
Input offset voltage, $R_G = 50\Omega$	V_{IO}	-5.5		5.5	-7	7	mV
Input offset current	I_{IO}	-200	± 80	200	-300	300	nA
Input current	I_I		0.5	0.8		1.0	μA
Control range $V_S = \pm 15V$	V_{QPP}	14.9		-14	14.8	-14	V
$R_L = 620\Omega$, $V_S = \pm 15V$	V_{QPP}	14.9		-12.5	14.8	-12	V
Input impedance, $f = 1\text{ kHz}$	Z_I		200				$k\Omega$
Open-loop voltage gain $f = 100\text{ Hz}$	G_{VO}	80	85		80		dB
$R_L = 10\Omega$, $f = 100\text{ Hz}$	G_{VO}		90				dB
Output reverse current	I_{QR}			10		20	μA
Common-mode input voltage range	V_{IC}	$-V_S+2$		V_S-2	$-V_S+3$	V_S-3	V
Common-mode rejection	k_{CMR}	75	83		75		dB
Supply voltage rejection, $G_V = 100$	k_{SVR}		25	100		100	$\mu\text{V/V}$

Characteristics (TAA 2765) (cont'd)

$V_S = \pm 5V$ to $\pm 15V$; $R_L = 2k\Omega$, unless otherwise specified

Parameter	Symbol	Limit Values $T_A = 25\text{ }^\circ\text{C}$			Limit Values $T_A = -25$ to $85\text{ }^\circ\text{C}$		Unit
		min.	typ.	max.	min.	max.	
Temperature coefficient of V_{IO} $R_G = 50\Omega$	α_{VIO}		1	15		25	$\mu\text{V/K}$
Temperature coefficient of I_{IO} $R_G = 50\Omega$	α_{IIO}		0.3			1.5	nA/K
Noise voltage (in acc. with DIN 45405, referred to input $R_S = 2.5k\Omega$)	V_n		3				μV
Output saturation voltage $I_O = 10\text{mA}$	$V_{O\text{sat}}$			1			V
Slew rate for non-inverting operation	SR		0.5				$\text{V}/\mu\text{s}$
Slew rate for inverting operation	SR		0.5				$\text{V}/\mu\text{s}$

Characteristics (TAA 2765)

$V_S = \pm 2V$, $R_L = 2k\Omega$

Parameter	Symbol	Limit Values $T_A = 25\text{ }^\circ\text{C}$			Limit Values $T_A = -25$ to $85\text{ }^\circ\text{C}$		Unit
		min.	typ.	max.	min.	max.	
Input offset voltage, $R_G = 50\Omega$	V_{IO}	-6		6	-7.5	7.5	mV
Input offset current	I_{IO}	-150		150	-200	200	nA
Input current	I_I		0.2	0.6		0.8	μA
Open-loop voltage gain; $f=100\text{ Hz}$	G_{VO}	75			75		dB

Note : For typical performance curves, please refer to the data sheets of TAA 765 and TAA 762.